

HG Series Digital Force Gauge

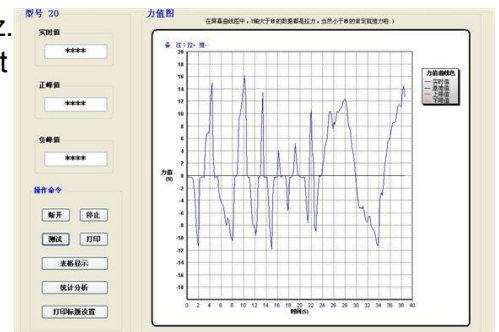


Patent No.ZL201220300181.6

HG series digital force gauge is a universal portable force device,testing push and pull load. It is small,light,easy to take,multi-function,high precision. Applicable for all products doing push and pull load test,insert and pull out force test,destroy test,etc. It also can be combined with the machine and clamp to make up a small tester for different purposes.

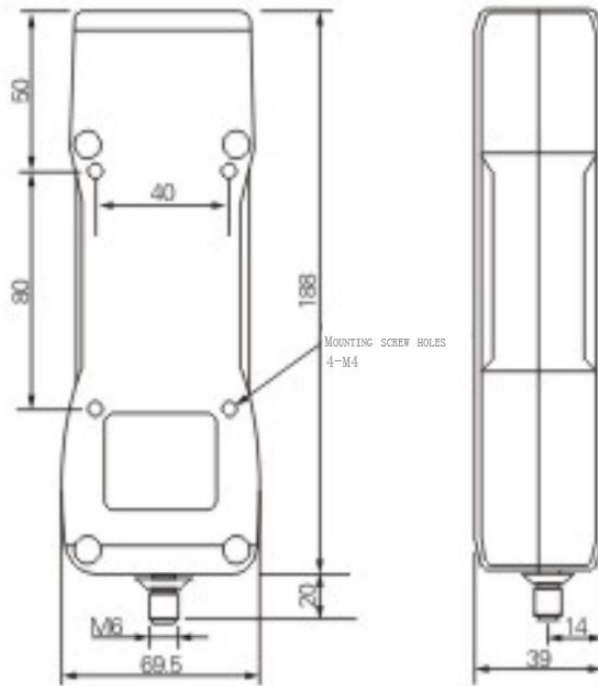
Main Characteristics

1. High accuracy, resolution and stability.Sampling speed to 120Hz.
2. Setup the difference between upper and limit freely, Indicator light and buzzer alarm automatically and Level signal output.
3. Display test direction(Pull +, Push -).
4. Sections of liquid crystal display,green blacklit screen.
5. Memorize 99 groups of datas: max/min value and calculate the average value Automatically.
6. Convert three units N,Kgf,lbf automatically.
7. Can set the value of acceleration of gravity
8. Holding and removing the peak value automatically(0-99 sec. can be set).
9. Power off automatically without any operation(0-99 min,time can be set freely).
- 10.Adopt external intelligent charger,charge safely and prolong battery life.
- 11.Pin output(baudrate 9600),it can print test datas,max/min value and average Value.
- 12.Connect to PC,read,print,delete and analysis the datas.



Remark: According to client require to select Sensor

HG Series Digital Force Gauge



HG Series Spec Parameters

Model	HG-2	HG-5	HG-10	HG-20	HG-50	HG-100	HG-200	HG-500	HG-
Max load	2N	5N	10N	20N	50N	100N	200N	500N	1000N
	0.2kg	0.5kg	1kg	2kg	5kg	10kg	20kg	50kg	100kg
	0.441b	1.11b	2.21b	4.41b	111b	221b	441b	1101b	2201b
Load graduation value	0.001N	0.001N	0.005N	0.01N	0.01N	0.05N	0.1N	0.1N	0.5N
	0.1g	0.1g	0.5g	0.001kg	0.001kg	0.005kg	0.01kg	0.01kg	0.05kg
	0.00021b	0.00021b	0.0011b	0.0021b	0.0021b	0.011b	0.021b	0.021b	0.11b
Relative value error	±0.5%								
Load cell installation	load cell inside or outside								

Model	HG-2000	HG-5000	HG-10K	HG-20K	HG-50K	HG-100K	HG-200K	HG-500K	HG-1000K
Max load	2000N	5000N	10KN	20KN	50KN	100KN	200KN	500KN	1000KN
	200kg	500kg	1000kg	2000kg	5000kg	10000kg	20000kg	50000kg	100000kg
	4401b	11001b	22001b	44001b	110001b	220001b	440001b	1100001b	2200001b
Load graduation value	1 N	1N	0.005kN	0.01kN	0.01kN	0.05kN	0.1kN	0.1kN	0.5kN
	0.1kg	0.1kg	0.5kg	1kg	1kg	5kg	10kg	10kg	50kg
	0.21b	0.21b	11b	21b	21b	101b	201b	201b	1001b
Relative value error	±0.5%								
Load cell installation	load cell outside								