

产品说明 Product Features



该系列电源滤波器专为高性能电磁屏蔽房间配套，该电源滤波器的泄漏电流为mA级，压降 $<1\%$ ，在14KHz到40GHz频率范围内，插入损耗达100dB。

These series power line EMI filters are specially designed for anechoic chamber, shielded enclosure, Electromagnetic shelter, shielded chamber and other Shield Facilities.



- ▶ High performance, insertion loss up to 100dB from 14KHz to 40GHz
- ▶ Supper low leakage current at mA level.
- ▶ Voltage drop is less than 1V.
- ▶ Custom design acceptable

技术参数 Technical Specifications:

单相 / 三相四线电源滤波器

Single phase/Three phase Power Line EMI Filters

额定电压 V_R (单相) Rate voltage V_R for single phase	250V (线-线 line-line) (线-地 line-ground)
额定电压 V_R (三相) Rate voltage V_R for three phase	440V (线 - 线 line - line) 250V (线 - 地 line - ground)
额定电流 I_R Rated currents I_R	见特性(环境温度 + 40°C) See the below table(referred to +40°C ambient temperature)
工作频率 f_R Operating frequency f_R	50 / 60 Hz
耐压试验 Test Voltage	1000Vdc/2s (线 - 线 line / line) 1000Vdc/2s (线 - 地 line - ground)
电压降 ΔV Voltage drop / phase ΔV	$<1\%$ (额定工作条件) $<1\%$ (of V_R @ 50Hz and I_R)
泄漏电流 $I_{Leakage}$ Leakage current $I_{Leakage}$	见特性(额定工作条件) See the below table(@400/230V and 50Hz)
气候类别Climatic category	25 / 070 / 21

选型表 Filter selection table

规格 Filter	额定电流 Rated Current (A)	泄露电流 Leakage Current(A)	插入损耗 Insertion Loss (dB)	外形尺寸 Dimension
PESF-P201C-	2 × 3	0.05	100dB, 14K-10/40GHz	Fig 1
PESF-P201C-	2 × 6			
PESF-P201C-	2 × 16	0.2		Fig 2
PESF-P201C-	2 × 32			
PESF-P201C-	2 × 50			
PESF-P201C-	2 × 63			
PESF-P201C-	2 × 70			
PESF-P201C-	2 × 100	0.5		Fig 3
PESF-P201C-	2 × 150	1		Fig 4
PESF-P201C-	2 × 200			
PESF-P201C-	2 × 300			
PESF-P201C-	2 × 450			
PESF-P401C-	4 × 16	0.2		Fig 5
PESF-P401C-	4 × 32			
PESF-P401C-	4 × 50			
PESF-P401C-	4 × 63			
PESF-P401C-	4 × 70			
PESF-P401C-	4 × 100	0.5		Fig 6
PESF-P401C-	4 × 150	1		Fig 7
PESF-P401C-	4 × 200			
PESF-P401C-	4 × 300			
PESF-P401C-	4 × 450			
PESF-P201B-	2 × 16	0.2	100dB, 100K-10/40GHz	Fig 2
PESF-P201B-	2 × 32			
PESF-P201B-	2 × 50			
PESF-P201B-	2 × 63			
PESF-P201B-	2 × 70			

选型表 Filter selection table

规格 Filter	额定电流 Rated Current (A)	泄露电流 Leakage Current(A)	插入损耗 Insertion Loss (dB)	外形尺寸 Dimension
PESF-P201B-	2 × 100	0.5	100dB, 100K-10/40GHz	Fig 3
PESF-P201B-	2 × 150	1		Fig 4
PESF-P201B-	2 × 200			
PESF-P201B-	2 × 300			
PESF-P201B-	2 × 450			
PESF-P401B-	4 × 16			
PESF-P401B-	4 × 32			
PESF-P401B-	4 × 50			
PESF-P401B-	4 × 63			
PESF-P401B-	4 × 70			
PESF-P401B-	4 × 100	0.5		Fig 6
PESF-P401B-	4 × 150	1		Fig 7
PESF-P401B-	4 × 200			
PESF-P401B-	4 × 300			
PESF-P401B-	4 × 450			
PESF-P201A-	2 × 16		0.2	
PESF-P201A-	2 × 32			
PESF-P201A-	2 × 50			
PESF-P201A-	2 × 63			
PESF-P201A-	2 × 70			
PESF-P401A-	4 × 16	0.2	Fig 5	
PESF-P401A-	4 × 32			
PESF-P401A-	4 × 50			
PESF-P401A-	4 × 63			
PESF-P401A-	4 × 70			
PESF-P401A-	4 × 100	0.5	Fig 6	
PESF-P401A-	4 × 150	1	Fig 7	
PESF-P401A-	4 × 200			

外形尺寸 Mechanical Dimension (mm)

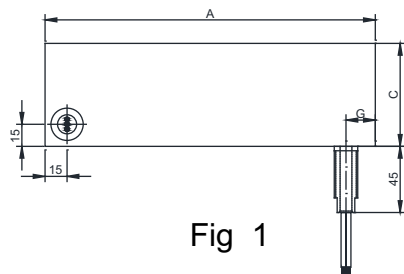


Fig 1

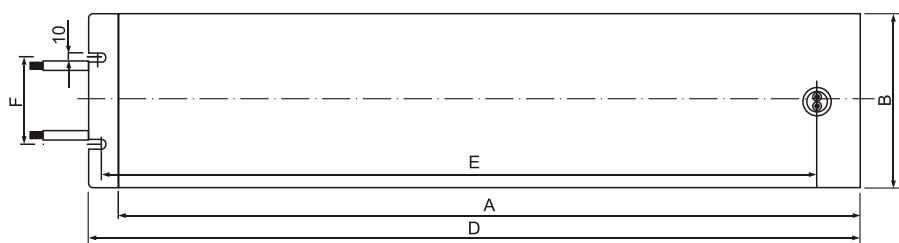
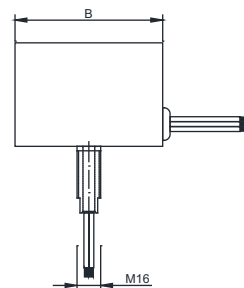


Fig 2

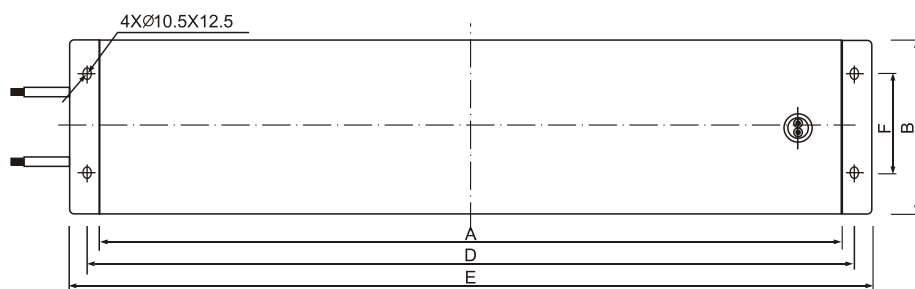
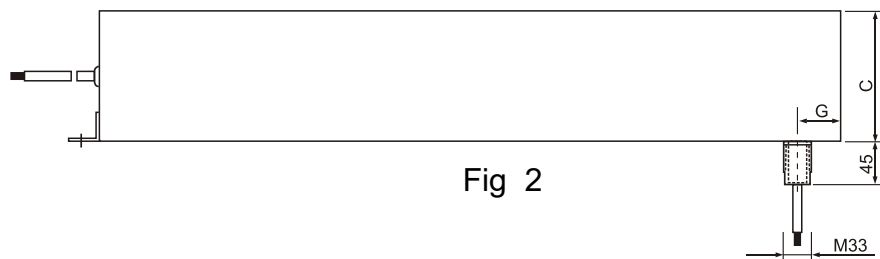
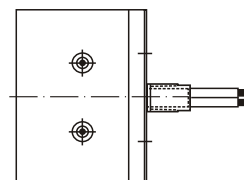
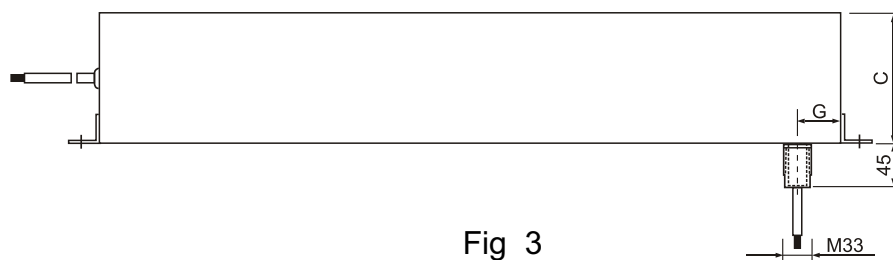
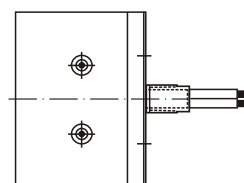
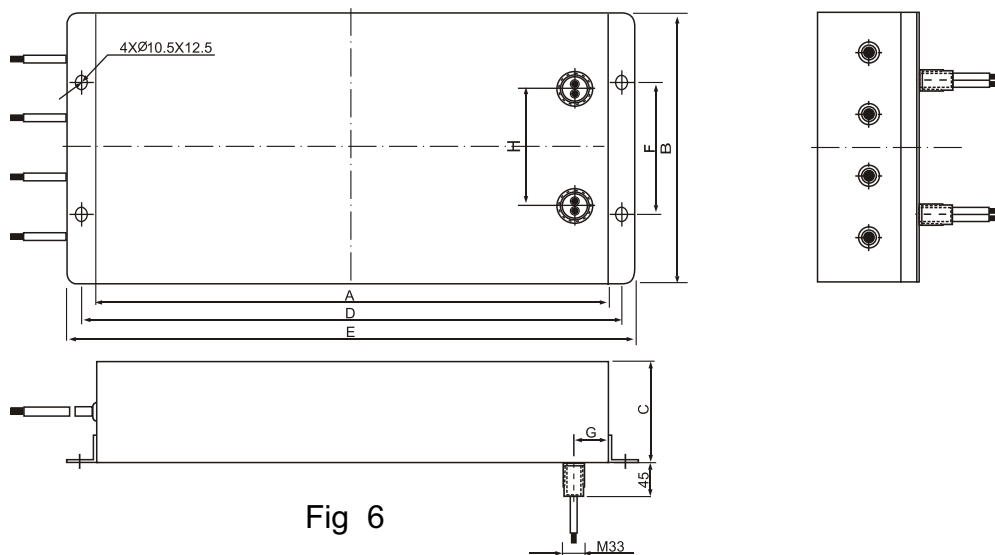
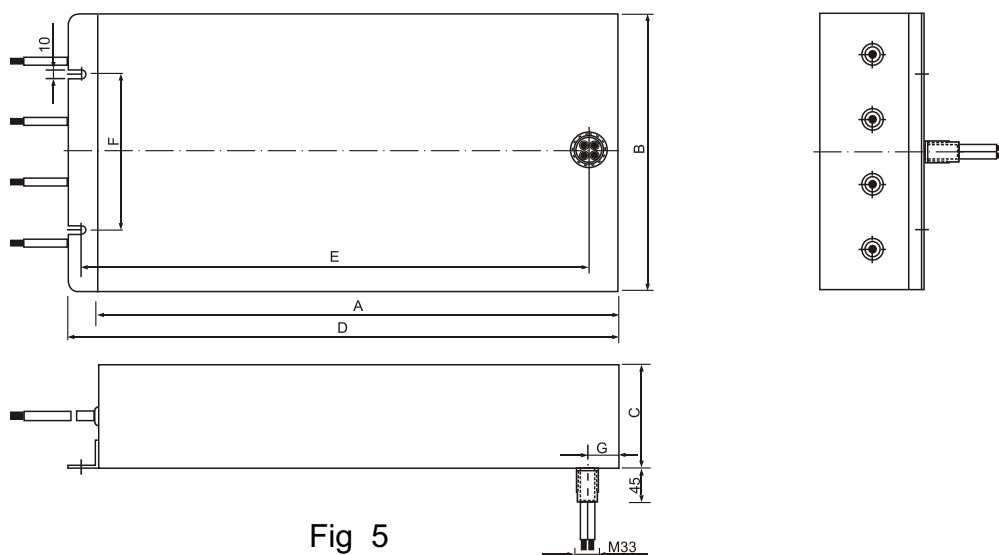
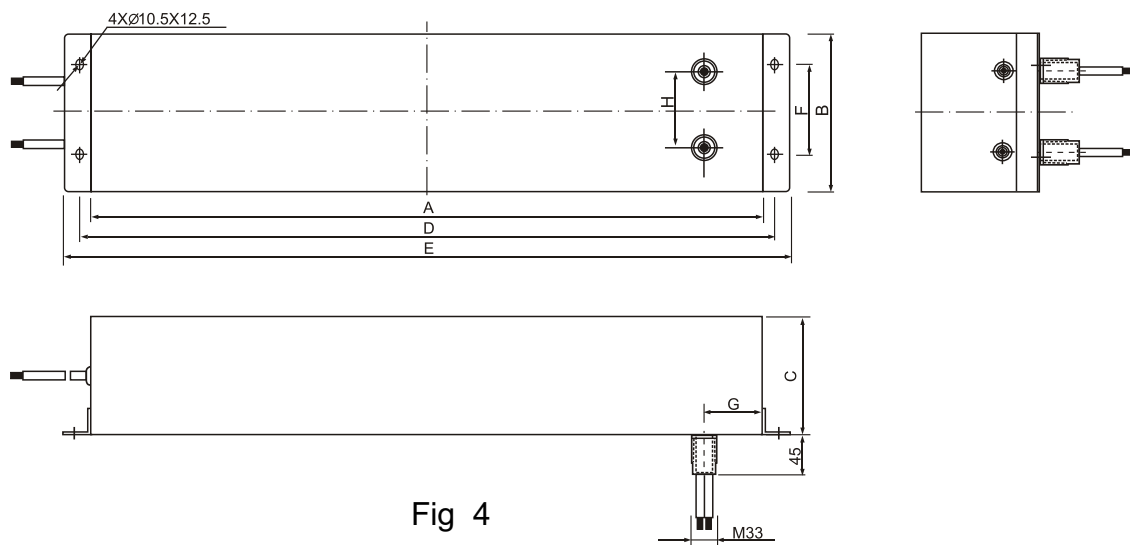


Fig 3



外形尺寸 Mechanical Dimension (mm)



外形尺寸 Mechanical Dimension (mm)

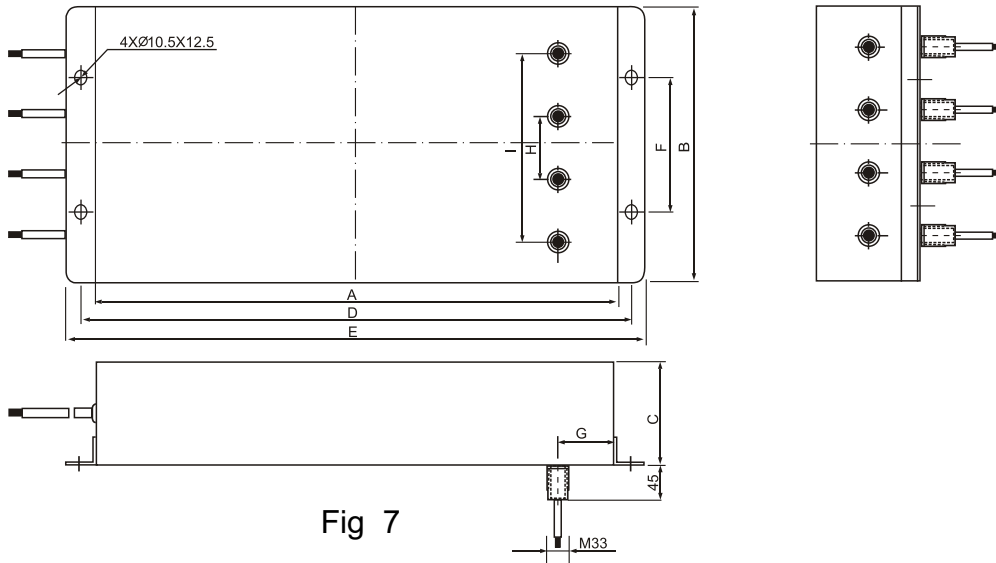


Fig 7

尺寸表 Dimensions (mm)

所有尺寸单位为mm, All dimensions in mm; 1 inch=25.4mm

图号 Drawing No.	规格 Filter	A	B	C	D	E	F	G	H	I
Fig 1	201C	225	100	70				20		
Fig 2	201A	380	160	140	400	360	100	30		
	201B	600	160	120	635	585	100	35		
	201C	770	160	120	805	775	100	35		
Fig 3	201B	660	160	150	690	720	100	35		
	201C	850	200	150	880	910	100	50		
Fig 4	201B(150-200A)	880	260	150	910	940	160	60	140	
	201B(300-450A)	1200	260	200	1230	1260	160	75	140	
	201C(150-200A)	1000	260	150	1030	1060	160	50	140	
	201C(300-450A)	1400	260	200	1430	1460	160	75	140	
Fig 5	401A	380	320	140	400	360	180	30		
	401B	600	320	120	635	585	180	35		
	401C	880	320	120	915	865	180	35		
Fig 6	401A	540	320	150	570	600	180	50	160	
	401B	660	320	150	690	720	180	35	160	
	401C	880	320	150	910	940	180	35	160	
Fig 7	401A	540	320	150	570	600	180	50	70	210
	401B(150-200A)	880	400	150	910	940	200	60	100	300
	401B(300-450A)	1200	400	200	1230	1260	200	75	100	300
	401C(150-200A)	1000	400	150	1030	1060	200	50	100	300
	401C(300-450A)	1400	400	200	1430	1460	200	75	100	300

经济型 Ultra-Compact available

规格 Filter	额定电流 Rated Current (A)	线规 Cables	插入损耗 Insertion Loss (dB)	外形尺寸 Dimension
PESF-U201C-	2 × 16	4mm ²	100dB, 14K-10/40GHz	Fig 1
PESF-U201C-	2 × 32	6mm ²		
PESF-U201C-	2 × 50	10mm ²		
PESF-U201C-	2 × 63	16mm ²		
PESF-U201C-	2 × 100	25mm ²		
PESF-U201C-	2 × 150	50mm ²		
PESF-U201C-	2 × 200	70mm ²		
PESF-U401C-	4 × 16	4mm ²	100dB, 14K-10/40GHz	Fig 3
PESF-U401C-	4 × 32	6mm ²		
PESF-U401C-	4 × 50	10mm ²		
PESF-U401C-	4 × 63	16mm ²		
PESF-U401C-	4 × 100	25mm ²		
PESF-U401C-	4 × 150	50mm ²		
PESF-U401C-	4 × 200	70mm ²		
PESF-U401C-	4 × 250	120mm ²	Fig 4	
				Fig 5

外形尺寸 Mechanical Dimension (mm)

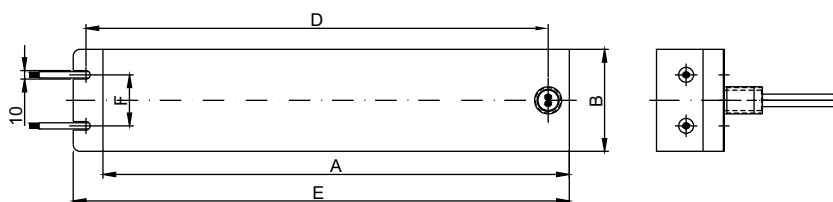


Fig 1

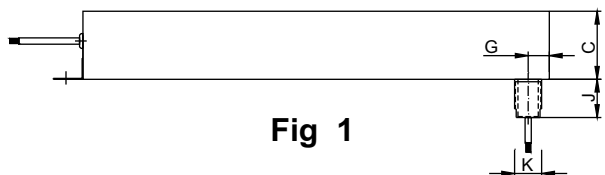


Fig 2

外形尺寸 Mechanical Dimension (mm)

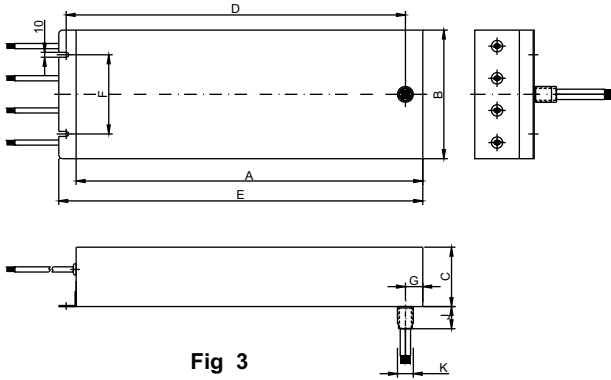


Fig 3

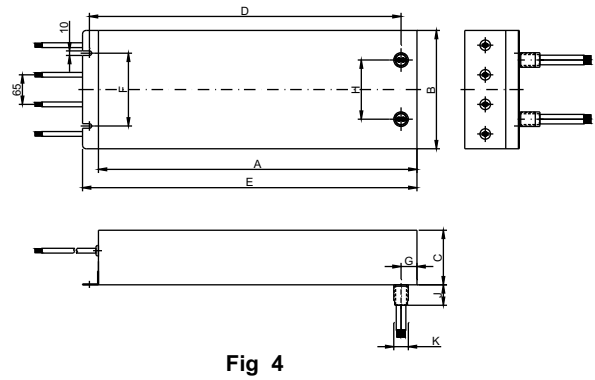


Fig 4

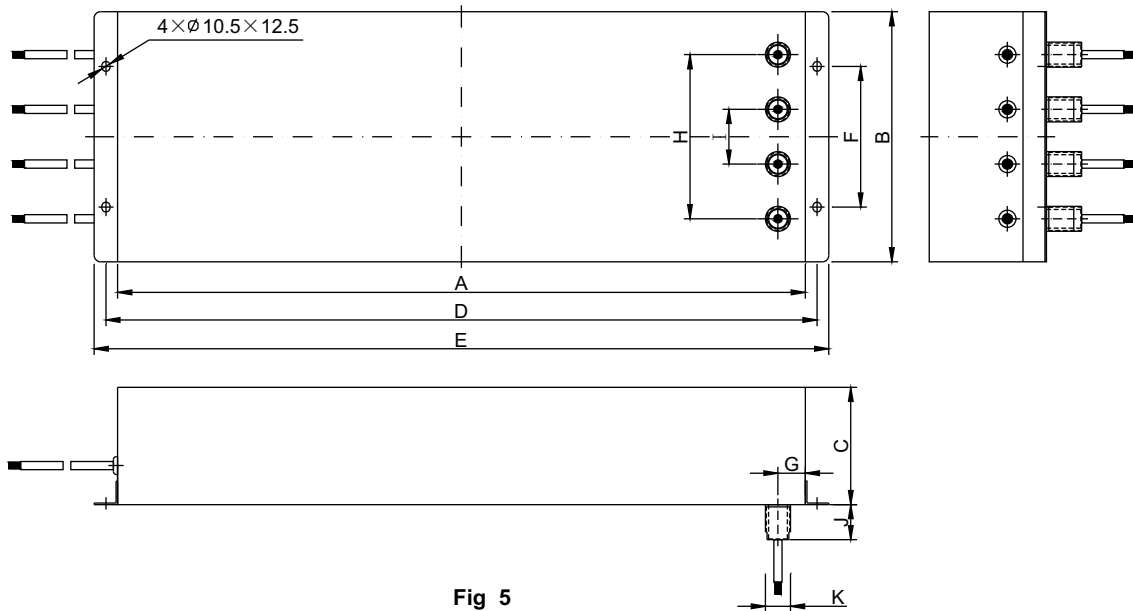


Fig 5

尺寸表 Dimensions (mm)

所有尺寸单位为mm, All dimensions in mm; 1 inch=25.4mm

图号 Drawing No.	规格 Filter	A	B	C	D	E	F	G	H	I	J	K
Fig 1	16-63A	550	120	80	545	585	60	25			45	1 × M33
	100A	770	160	120	755	805	100	35			45	1 × M33
Fig 2	150-200A	770	160	120	755	805	100	35	70		45	2 × M33
Fig 3	16-32A	550	240	80	545	585	150	25			45	1 × M33
	50-63A	700	260	120	685	735	160	35			45	1 × M33
Fig 4	100A	700	260	120	685	735	160	35	130		45	2 × M33
Fig 5	150-200A	880	320	150	910	940	180	35	210	70	45	4 × M33
Fig 6	250A	880	320	150	910	940	180	50	210	70	65	4 × M33